

# ecocal

thermostatic radiator  
and lockshield valves



**TELL**  
Thermostatic Efficiency Label

Manufacturer: **Caloff S.p.A.**  
Model: **200000**  
Registration number: **10429-20110827**



Information: [www.tell-online.eu](http://www.tell-online.eu)

A Label of EU United Valves  
European Valve Manufacturers Association

**TELL**  
Thermostatic Efficiency Label

Manufacturer: **Caloff S.p.A.**  
Model: **201000**  
Registration number: **10429-20110827**



Information: [www.tell-online.eu](http://www.tell-online.eu)

A Label of EU United Valves  
European Valve Manufacturers Association

# altecnic

# ecocal radiator valves



## Application

Thermostatic valves are typically used for regulating the water flow to the radiators of central heating systems.

A thermal regulating element automatically controls the opening of the valve to keep the ambient temperature of the room where they are installed constant at the set value.

This prevents unwanted temperature changes and achieves energy savings by keeping the temperature constant.

Product Code	Size DN	Description
200410 LTC	DN10	Angled TRV
200415 LTC	DN15	Angled TRV with rubber seal
CA-200455	DN10	Angled TRV high chrome head
200425 LTC	DN15	Angled TRV
200440 LTC	DN10	Angled TRV twin pack
200445 LTC	DN15	Angled TRV twin pack
200455 LTC	DN15	Angled TRV, straight LS with chrome head
200465 LTC	DN15	Straight TRV
200475 LTC	DN15	Straight TRV twin pack
200485 LTC	DN15	Straight TRV chrome head twin pack

## Materials of Construction

Body	Brass	BS EN 12165 CW617N
Union nut	Brass	BS EN 12164 CW617N
Tailpiece	Brass	BS EN 12164 CW614N
Stem	Stainless Steel	
Seals - 'O' rings	EPDM	
TRV insert assembly	Brass with EPDM disc facing	
Manual operator & TRV controller cover	Thermoplastic	ABS (RAL 9010) ABS - chrome finish
Body finish	Chrome Plated	

## Technical Specification

### Valve body

Medium:	water, glycol solution
Max. percentage of glycol:	30%
Max. working pressure	10 bar
Working temperature range:	5 to 100°C

### Thermostatic controller

Max. differential pressure:	1 bar
Scale of adjustment:	* to V
Temperature setting range:	0°C to 28°C
Frost setting:	7°C
Max. ambient temperature:	50°C

## E & O.E

Altecnic Ltd Mustang Drive, Stafford, Staffordshire ST16 1GW

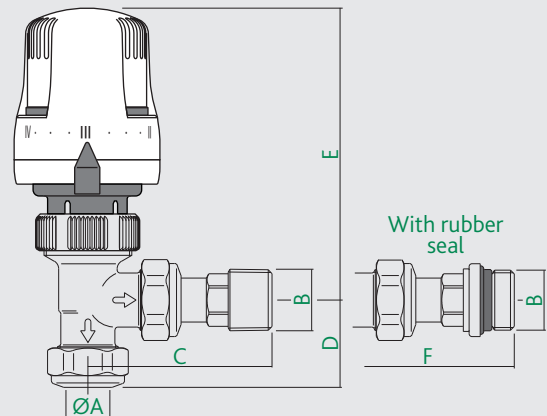
T: +44 (0)1785 218200 E: sales@altecnic.co.uk

Registered in England No: 2095101

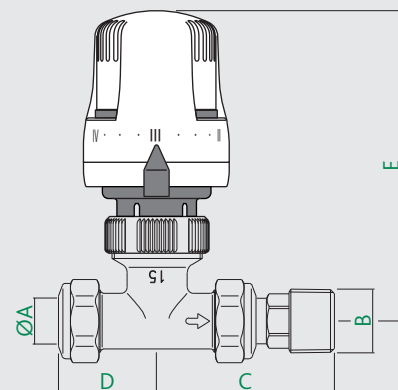
altecnic.co.uk

AL 083 26-03-13

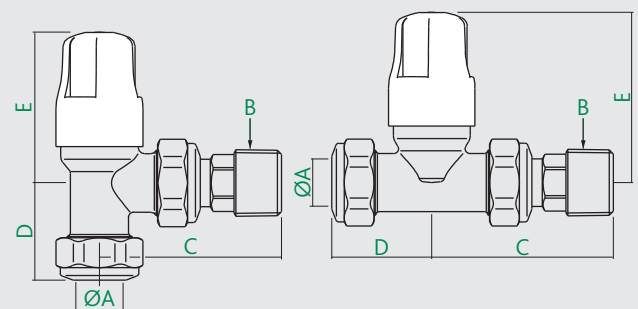
## Dimensions



Size	A	B	C	D	E	F
DN10	10	R½	55 to 63	29.5	100	
DN15	15	R½	56 to 63	30	100	55 to 63



Size	A	B	C	D	E
DN10	10	R½	57 to 64	33	103
DN15	15	R½	57 to 64	33	103



Size	A	B	C	D	E
DN10	10	R½	55 to 63	29.5	48
DN15	15	R½	55 to 63	30	48
DN10 - Str	10	R½	56 to 63	32	54
DN15 - Str	15	R½	56 to 63	32	54